

Cyclone Dust Collector
Operating Instructions



Producer:

Laguna Tools Inc
744 Refuge Way, Suite 200
Grand Prairie, Texas 75050
USA
Phone: +1 800-234-1976
Website: www.lagunatools.com

Distributor:

IGM nástroje a stroje s.r.o.
Ke Kopanině 560, 252 67, Tuchoměřice
Czech Republic, EU
Phone: +420 220 950 910
E-mail: sales@igmttools.com
Website: www.igmttools.com



2022-08-18

151-PFlux3Tv2 LAGUNA Cyclone Dust Collector Manual EN v2.5 A4ob



EC DECLARATION OF CONFORMITY

According to the following EC Directives
- Machinery Directive : 2006/42/EC



The undersigned, Stephen Stoppenbrink, representing Laguna Tools Inc.
744 Refuge Way, Suite 200, Grand Prairie, Texas 75050 USA, manufacturer, declares that
the machine described hereafter :

DUST COLLECTOR

MODEL:

AFLUX12 (230V/50Hz)
BFLUX1 (230V/50Hz)
CFLUX3 (415V/50Hz)
PFLUX3 (415V/50Hz)
CFLUX1 (230V/50HZ)
PFLUX1 (230V/50HZ)

Provided that it is used and maintained in accordance with the generally accepted codes of good practice and the recommendations of the instructions manual, meets the essential safety and health requirements of the Machinery Directive.

The person who compile technical file established within the EU:

Name: IGM nastroje a stroje s.r.o.

Address: Ke Kopanine 560, Tuchomerice , CZ-252 67

Tel.: +420 220 950 910


Email: sales@igmtools.com

The TCF (No. SF-2018001-A1 / SF-2018002-A1) is archived in CEPROM S.A. located in Str. Fântânele, nr.FN (Platforma Industrială), 440240 Satu Mare, Romania

For the most specific risks of this machine, safety and compliance with the essential requirements of the Directive has been based on elements of:

- EN ISO 12100:2010 / Safety of machinery — General principles for design — Risk assessment and risk reduction (ISO 12100:2010)
- EN 60204-1: 2006+A1:2009+AC:2010 / Safety of machinery - Electrical equipment of machines- Part 1: General requirements- Industrial electrical device.

Date: August 04, 2022

Authorized Signature: 

Position: Chief Executive Officer

Place: Laguna Tools Inc.
744 Refuge Way, Suite 200, Grand Prairie, Texas 75050,
USA

EN - English

Operating Instructions (translation of the original instructions)

Dear Woodworker,

Thank you for your purchase and welcome to the Laguna Tools group of discerning woodworkers. We understand that you have a choice of where to purchase your machines and appreciate the confidence you have in the Laguna Tools brand. Every machine manufactured by Laguna Tools has been carefully designed and well thought through from a woodworker's perspective. Through hands-on experience, Laguna Tools is constantly working hard to make innovative, precision products. Products that inspire you to create works of art, are a joy to run and work on, and encourage your performance.

Contents

1. Declaration of conformity

1.1 Warranty

2. PFlux3 Specifications

3. General Safety Rules and Instructions

3.1 Important Safety Instructions

3.2 General Rules

3.3 Additional Safety Instructions

3.4 Power Supply

3.5 Motor Specifications

3.6 Grounding Instructions

4. Parts Description

4.1 Functions

5. Assembly

6.1 Unpacking

6.2 Assembling the Unit

6. Maintenance

7. Troubleshooting

8. Power connection and wiring diagram

9. Parts breakdown / Exploded Views

10. Parts list

1. Declaration of conformity

We declare that this product is in compliance with the directive and the standard mentioned on the previous page of this manual.

1.1 Warranty

IGM Tools & Machinery strives to always deliver high-quality machinery. The warranty is governed by the valid terms and conditions of IGM Tools & Machinery available at www.igmttools.com.

2. Specifications

Motor	2200 W
Power	400V / 50Hz / 3 HP
Recommended Breaker	Size 20 A, tripping characteristic C
Airflow (traditional method)	3831 m ³ /hour (2253 CFM)
Airflow (realistic method)	2209 m ³ /hour (1299 CFM)
Max. Static Pressure	285 mm in water
Fan Diameter	390 mm
Inlet Diameter	1x 200 mm nebo 3 x 100 mm
Switch	High frequency remote control switch
Noise	76 dB(A) na 3 m
Drum Collection	174 l, octagonal drum
Packing Size (LxWxH)	1300 x 800 x 1300 mm
Weight	169,2 kg
Shipping Weight	200 kg
Filter	
Filtering Area:	9,5 m ²
Cartridge Filter diameter	400 mm x height 900 mm
Filtration Size	HEPA - 99.2 %, 0.4 Micron
Drum Collection Bag Layflat Size	960 x 1200 mm

3. General Safety Rules and Instructions

3.1 Important Safety Instructions

Read and understand all warnings and operating instructions before using this equipment. Failure to follow all instructions listed below, may result in electric shock, fire, and/or serious personal injury or property damage.

Woodworking can be dangerous if safe and proper operating procedures are not followed. As with all machinery, there are certain hazards involved with the operation of the product. Using the machine with respect and caution will considerably lessen the possibility of personal injury. However, if normal safety precautions are overlooked or ignored, personal injury to the operator may result. Safety equipment such as guards, push sticks, hold-downs, feather boards, goggles, dust masks and hearing protection can reduce your potential for injury. But even the best guard won't make up for poor judgment, carelessness or inattention. Always use common sense and exercise caution in the workshop. If a procedure feels dangerous, don't try it. Figure out an alternative procedure that feels safer. **REMEMBER:** Your personal safety is your responsibility.

This machine was designed for certain applications only. We strongly recommend that this machine not be modified and/or used for any application other than that for which it was designed. If you have any questions relative to a particular application, do not use the machine until you have first contacted the manufacturer to determine if it can or should be performed on the product.

If you have any questions relative to its application do not use the product until you have contacted the manufacturer and we have advised you.

When using an electrical appliance, basic precautions should always be followed, including the following:

READ ALL INSTRUCTIONS BEFORE USING (THIS APPLIANCE)

To reduce the risk of fire, electric shock, or injury:

- Do not leave appliance when plugged in. Unplug from outlet when not in use and before servicing.
- Do not use outdoors or on wet surfaces.
- Do not allow to be used as a toy. Close attention is necessary when used by or near children.
- Use only as described in this manual. Use only manufacturer's recommended attachments.
- Do not use with damaged cord or plug. If appliance is not working as it should, has been dropped, damaged, left outdoors, or dropped into water, return it to a service centre.
- Do not pull or carry by cord, use cord as a handle, close a door on cord, or pull cord around sharp edges or corners. Do not run appliance over cord. Keep cord away from heated surfaces.
- Do not unplug by pulling on cord. To unplug, grasp the plug, not the cord.
- Do not handle plug or appliance with wet hands.
- Do not put any object into openings. Do not use with any opening blocked; keep free of dust, lint, hair, and anything that may reduce air flow.
- Keep hair, loose clothing, fingers, and all parts of body away from openings and moving parts.
- Turn off all controls before unplugging.
- Use extra care when cleaning on stairs.

- Do not use to pick up flammable or combustible liquids, such as gasoline, or use in areas where they may be present.
- Connect to a properly grounded outlet only. See Grounding Instructions

SAVE THESE INSTRUCTIONS

- Read and understand the warnings posted on the machine and in this manual. Failure to comply with all of these warnings may cause serious injury.
- Replace the warning labels if they become obscured or removed.
- This 3HP Portable Cyclone Dust Collector is designed and intended for use by properly trained and experienced personnel only. If you are not familiar with the proper and safe operation of this type of dust collector, do not use until proper training and knowledge have been obtained.
- Do not use this machine for other than its intended use. If used for other purposes, LAGUNA TOOLS INC., disclaims any real or implied warranty and holds itself harmless from any injury that may result from that use.
- Always wear approved safety glasses/face shields while using this machine.
- Before operating this dust collector, remove tie, rings, watches and other jewelry, and roll sleeves up past the elbows. Remove all loose clothing and confine long hair. Non-slip footwear or anti-skid floor strips are recommended. Do not wear gloves.
- Wear ear protectors (plugs or muffs) during extended periods of operation.
- Some dust created by power sanding, sawing, grinding, drilling and other construction activities contain chemicals known to cause cancer, birth defects or other reproductive harm. Some examples of these chemicals are:
 - Lead from lead based paint.
 - Crystalline silica from bricks, cement and masonry products.
 - Arsenic and chromium from chemically treated lumber.

Your risk of exposure varies, depending on how often you do this type of work. To reduce your exposure to these chemicals, work in a well-ventilated area and work with approved safety equipment, such as face or dust masks that are specifically designed to filter out microscopic particles.

- Do not operate this machine while tired or under the influence of drugs, alcohol or any medication.
- Make certain the switch is in the OFF position before connecting the machine to the power source.
- Make certain the machine is properly grounded.
- Make all machine adjustments or maintenance with the machine unplugged from the power source.
- Form a habit of checking to see that all extra equipment such as adjusting keys, wrenches, scrap, stock, and cleaning rags are removed away from the machine before turning on.
- Keep safety guards in place at all times when the machine is in use. If removed for maintenance purposes, use extreme caution and replace the guards immediately when maintenance is complete.
- Make sure the dust collector is on a flat even surface and the wheels locked in place before use.
- Check damaged parts. Before further use of the machine, a guard or other part that is damaged should be carefully checked to determine that it will operate properly and perform its intended function. Check for alignment of moving parts, binding of moving parts, breakage of parts, mounting and any other conditions that may affect its operation. A guard or other part that is damaged should be properly repaired or replaced.
- Provide for adequate space surrounding work area and non-glare, overhead lighting.
- Keep the floor around the machine clean and free of scrap material, oil and grease.
- Keep visitors a safe distance from the work area. Keep children away.
- Make your workshop child proof with padlocks, master switches or by removing starter keys.

- Give your work undivided attention. Looking around, carrying on a conversation and “horse-play” are careless acts that can result in serious injury.
- Maintain a balanced stance at all times so that you do not fall or lean against the dust collector. Do not overreach or use excessive force to perform any machine operation.

- Use the right tool at the correct speed and feed rate. Do not force a tool or attachment to do a job for which it was not designed. The right tool will do the job better and safer.

- Use recommended accessories; improper accessories may be hazardous.

- Maintain machinery with care. Follow instructions for lubricating and changing accessories.

- Turn off the machine before cleaning. Use a brush or compressed air to remove dust or debris — do not use your hands.

- Do not stand on the machine. Serious injury could occur if the machine tips over.

- Never leave the machine running unattended. Turn the power off and do not leave the machine until it comes to a complete stop.

3.2 General safety rules

WARNING: FAILURE TO FOLLOW THESE RULES MAY RESULT IN SERIOUS PERSONAL INJURY.

CHECK DAMAGED PARTS. Before further use of the unit, properly repair or replace any part that is damaged.

FOR YOUR OWN SAFETY, READ AND UNDERSTAND THE INSTRUCTION MANUAL BEFORE OPERATING THE MACHINE.

Learn the unit’s application and limitations as well as the specific hazards peculiar to it.

KEEP WORK AREA CLEAN. Cluttered areas and benches invite accidents.

DON’T USE IN DANGEROUS ENVIRONMENT. Don’t use this unit in damp or wet locations, or expose it to rain. Keep work area well-lighted.

KEEP CHILDREN AND VISITORS AWAY. All children and visitors should be kept a safe distance from work area.

DISCONNECT UNIT before servicing.

CHECK DAMAGED PARTS. Before further use of the unit, properly repair or replace any part that is damaged.

FAILURE TO FOLLOW THESE RULES MAY RESULT IN SERIOUS INJURY.

3.3 Additional Safety Instructions

Additional safety for dust collectors

Intended use. This dust collector is only intended for collecting wood dust and chips from woodworking machines. Do not use this dust collector to collect metal, dirt, pebbles, drywall, asbestos, lead paint, silica, liquids, aerosols, or any flammable, combustible, or hazardous materials.

Hazardous dust. Dust created while using machinery may cause cancer, birth defects, or long-term respiratory damage. Be aware of dust hazards associated with each work piece material, and always wear a NIOSH-approved respirator to reduce your risk.

Dust allergies. Dust from certain woods may cause an allergic reaction in people and animals. Make sure you know what type of wood dust you will be exposed to in case there is a possibility of an allergic reaction.

Wear respirator. Fine dust that is too small to be caught in the filter will be blown into the ambient air during operation. Always wear a NIOSH-approved respirator during operation and for a short time after to reduce your risk of permanent respiratory damage.

Emptying dust. When emptying dust from the collection container, wear a respirator and safety glasses. Empty dust away from ignition sources and into an approved container.

Disconnecting power supply. Turn the switch off, disconnect the dust collector from the power supply, and allow the impeller to come to a complete stop before leaving the machine unattended or doing any service, cleaning, maintenance, or adjustments.

Suspended dust particles and ignition sources. Do not operate the dust collector in areas where explosion risks are high. Areas of high risk include, but are not limited to, areas near pilot lights, open flames, or other ignition sources.

Fire suppression. Only operate the dust collector in locations that contain a fire suppression system or have a fire extinguisher nearby.

Impeller hazards. Do not place your hands or tools near the open inlet during operation for any reason. The powerful suction could easily cause accidental contact with the impeller, which will cause serious personal injury or damage to the machine. Always keep small animals and children away from open dust collection inlets.

Avoiding sparks. Do not allow steel or rocks to strike the impeller—this may produce sparks. Sparks can smolder in wood dust for a long time before a fire is detected. If you accidentally cut into wood containing tramp metal (nails, staples, spikes, etc.), immediately turn off the dust collector, disconnect it from power, and wait for the impeller to stop—then empty the collection container into an approved airtight metal container.

Operating location. To reduce respiratory exposure to fine dust, locate permanently installed dust collectors away from the working area, or in another room that is equipped with a smoke detector. Do not operate the dust collector in rainy or wet locations—exposure to water may create a shock hazard or decrease the life of the machine.

Static electricity. Plastic dust lines generate high amounts of static electricity as dust chips pass through them. Although rare, sparks caused by static electricity can cause explosions or fire. To reduce this risk, make sure all dust lines are thoroughly grounded by using a grounding wire.

Regular cleaning. Regularly check/empty the collection bags or drum to avoid the buildup of fine dust that can increase the risk of fire. Make sure to regularly clean the surrounding area where the machine is operated—excessive dust buildup on overhead lights, heaters, electrical panels, or other heat sources will increase the risk of fire.

Warning: If precautions are not heeded, it may result in minor injury and/or possible machine damage.

Warning: If precautions are not heeded, it may result in serious injury or possibly even death.

SAVE THESE INSTRUCTIONS.

Refer to them often and use them to instruct others.

3.4 Motor Specifications

Your machine is wired for 400 volts, 50 HZ alternating current. Before connecting the machine to the power source, make sure the switch is in the "OFF" position.

3.5 Grounding Instructions

DANGER: THIS MACHINE MUST BE GROUNDED WHILE IN USE TO PROTECT THE OPERATOR FROM ELECTRIC SHOCK.

1. This appliance must be connected to a grounded metal, permanent wiring system; or an equipment-grounding conductor must be run with the circuit conductors and connected to the equipment-grounding terminal or lead on the appliance.

The installer, such as a qualified electrician, cut (or bend over) and insulate the grounding conductor from a field wiring supply cable.

In the event of certain types of malfunctions or breakdowns, grounding provides a path of least resistance for electric current—in order to reduce the risk of electric shock.

Improper connection of the equipment-grounding wire can result in a risk of electric shock. The wire with green insulation (with or without yellow stripes) is the equipment-grounding wire. If repair or replacement of the power cord or plug is necessary, do not connect the equipment-grounding wire to a live (current carrying) terminal. Check with a qualified electrician or service personnel if you do not understand these grounding requirements, or if you are in doubt about whether the tool is properly grounded. If you ever notice that a cord or plug is damaged or worn,

disconnect it from power, and immediately replace it with a new one.

Electrical Circuit Requirements

You should use a separate electrical circuit for the Laguna PFlux. The circuit should be protected by a 20A circuit breaker with a tripping characteristic C. The power cable of the machine is factory fitted with 400V industrial plug. The machine must be connected to an appropriate industrial socket or the machine can be connected to a terminal board and the wiring corresponding to the recommended fuse.

ATTENTION! WIRING MAY BE CARRIED OUT BY A QUALIFIED ELECTRICIAN ONLY.

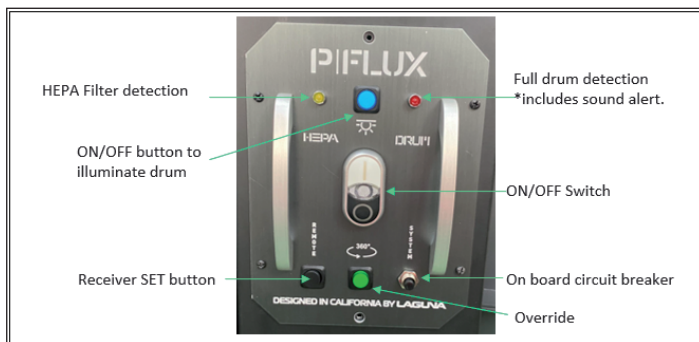
Recommended circuit breaker: 20A, tripping characteristic C.

WARNING: MAKE SURE THE SOCKET IS EARTHED. IF YOU ARE NOT SURE, HAVE THE SOCKET CHECKED BY A QUALIFIED ELECTRICIAN.

4. Parts Description

4.1 Functional Description

High Frequency Remote Control Receiver and Manual Switch



HEPA Filter detection – will illuminate when filter cleans (automatic cleaning/override)

Full drum detection – when drum is full, buzzer* will constantly sound off and light will illuminate.

*When the drum is close to 70%-80% full; intermittent buzzing will occur; this is a normal state.

ON/OFF Switch – turns cyclone ON or OFF.

On board circuit breaker – Pops out if machine overloads. Press to reset.

Override – Press for (3) seconds to activate override cleaning while the cyclone is ON. You can also activate this function by pressing the CLEAN button on the hand held remote for (3) seconds.

Receiver SET button – Used to program receiver.

ON/OFF illuminate drum – controls the LED light on the drum lid to illuminate inside the drum for visuals of the dust level.



*Used to match up a new hand held control with the remote switch

PROGRAMMING THE REMOTE CONTROL

1. Ensure the machine is switch ON before programming the remote control.
2. Press the black set button on the bottom of the remote switch until you hear two beeps.
3. Press the Remote set button on your hand held controller simultaneously with the black button until you hear three beeps to complete the set up.



MULTIPLE HAND HELD REMOTE SETUP

You can pair up to five (MAX) hand held remotes; however each hand held remote needs to be setup individually following the programming steps above. If you setup a sixth hand held remote, it will override the first hand held remote. If a seventh hand held remote is setup, it will override the second hand held remote. And so on.

5. Assembly

5.1 Unpacking

Your 3HP Mobile Dust Cyclone comes packed in a single box. Before attempting to assemble this machine, follow these directions for unpacking:

1. Carefully cut the banding straps and remove them from the box.
2. Cut along the tape line at the top of the box.
3. Remove all parts from the top of the styrofoam and set aside.
4. Remove the styrofoam packing material from the top of the machine.
5. Carefully take out the machine components from the box and set aside.
6. Using the diagram below, ensure that all parts are present and in good condition.



Description

- A. Motor
- B. Remote controller + Manual
- C. Dust chute
- D. Canister shield (front and back)
- E. Top upright supports (3)
- F. Canister cover plate
- G. Drum insert (4)
- H. HEPA Canister filter
- I. Filter rotation shaft
- J. Filter cleaning arm(2)
- K. Crossbar
- L. Collection bag for drum(3)
- M. Cyclone funnel
- N. Cyclone barrel
- O. Intake cylinder
- P. Octagon drum (front and back panel)
- Q. Drum lid
- R. Foot peddle bar
- S. Filter end cap with 4" suction port
- T. Octagon drum base panel
- U. Lower upright supports (3)
- V. Drum side plate (left and right)
- W. Upright support reinforcement plate (3)
- X. Foot peddle bar (left and right)
- Y. Foot peddle assembly fittings
- Y1. Lower triangular support plate (2)
- Y2. Foot peddle bar support (2)
- Y3. Lower support plate (2)
- Z. Intake Reducer (8" by 6") PFLUX2 only
- AB. Intake adapter (8" by 4" x 3 ports) PFLUX3 only

- AC. Autoclean plate
- AD. Hardware box

Report any missing or damaged parts to your dealer or distributor. Prior to tool assembly and use, read this manual thoroughly to familiarize yourself with proper assembly, maintenance and safety procedures.

5.2 General Tool Assembly

This step requires two adults. This 3HP Mobile Dust Cyclone is heavy, be careful when lifting and handling it! Failure to comply may cause serious injury and/or damage to the machine and/or property!

Tools Required

- 10 mm wrench / 12 mm wrench / 14 mm wrench
- Phillips screwdriver. 4 mm hex wrench / 5 mm hex wrench

To assemble your dust cyclone, follow these steps:

For your own safety, do not connect the machine to the power source until the machine is completely assembled. Please also make sure that you read and understand the entire instruction manual.

ASSEMBLY TIME ESTIMATE 5-6 hours

Step 1. Remove the base which has been bolted to the (3) top upright supports. Keep the (6) 3/8"x3/4" hex bolts and (6) 3/8" flat washers for assembling the lower supports to the base. Keep the upper assembly lifted for step 5.

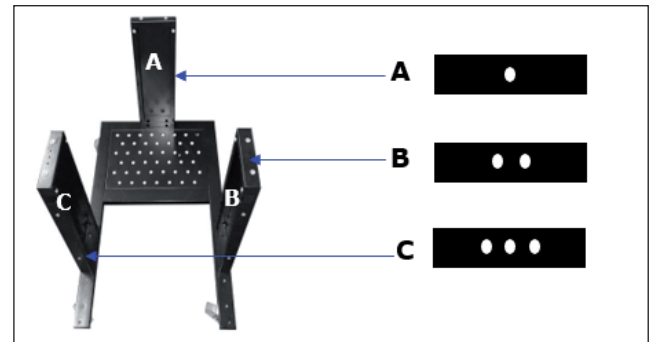


Step 2. Turn base upside-down. Use (16) 5/16" x 3/4" hex bolts and (16) 5/16" flat washers. Attach the (2) 4" casters with brakes to the base. The casters wit brakes should be attached to the side with the opening. The remaining (2) 4" swivel casters must attach to the other end on the base.



Step 3. Turn the base over with it standing on the (4) 4" casters and secure the three lower upright support panels using (6) 3/8" x 3/4" hex bolts and (6) 3/8" x 7/8" flat washers..

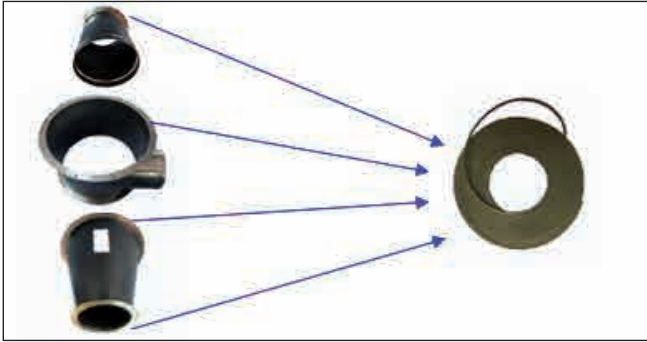
- A – shown with one dot is located on the canister side.
- B – shown with two dots is located on the front side
- C – shown with three dots is located on the opposite end.



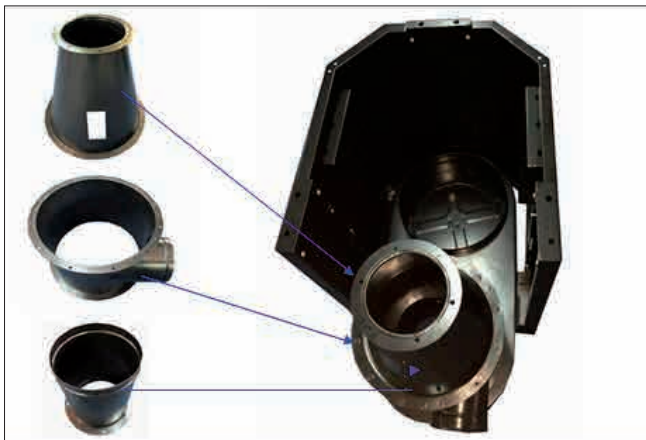
Step 4. With the help of another person carefully lift the upper cyclone assembly high enough to place on stands that you have completed in steps 2 and 3. Take note on precisely positioning the upper cyclone assembly onto the three lower upright supports. Using (6) 5/16" x 3/4" hex bolts and (6) 5/16" flat washers connect and secure the upper and lower upright supports.

Step 5. Take the intake cylinder, cyclone barrel and cyclone funnel and install 3 x 6mm foam tape to rims on each locations shown on the left.

- Top rim of the intake cylinder
- Top rim of the cyclone barrel
- Top and lower rim of cyclone funnel



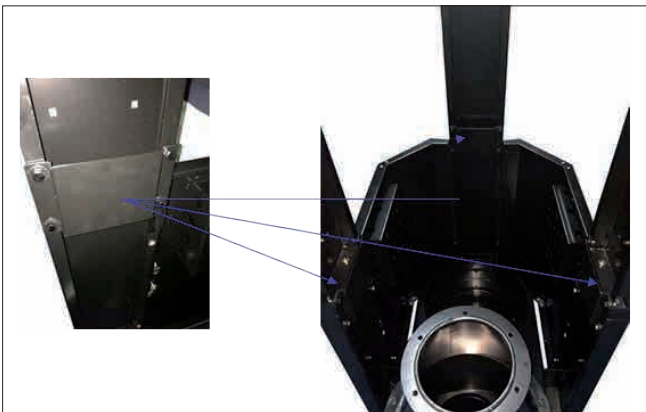
Step 6. Attach the intake cylinder to the dust chute using (4) 5/16" x 5/8" hex spring bolts. Then, attach the cyclone barrel onto the dust chute using (12) 5/16" x 3/4" hex bolts and (12) 5/16" x OD18*2t flat washers followed by attaching the cyclone funnel to the barrel using (12) 5/16" x 3/4" hex bolts, (24) 5/16" x OD18*2t flat washers and (12) 5/16" hex nuts.



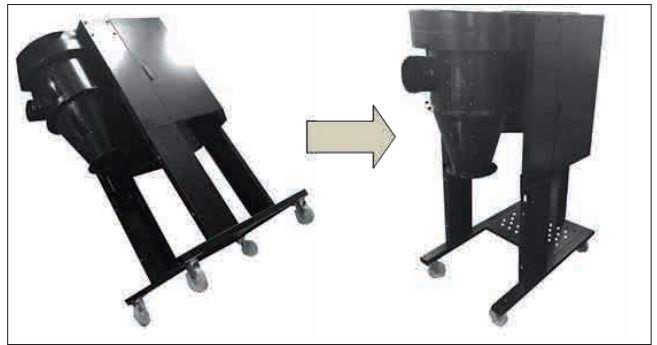
Step 7. Secure the base with (3) lower upright support panels to the unit using (6) 5/16" x 3/4" hex bolts and (6) 5/16" x OD18*2t flat washers.



Step 8. Secure the (3) upright support reinforcement plates using (12) 5/16" x 3/4" hex bolts and (12) 5/16" x OD18*2t flat washers.



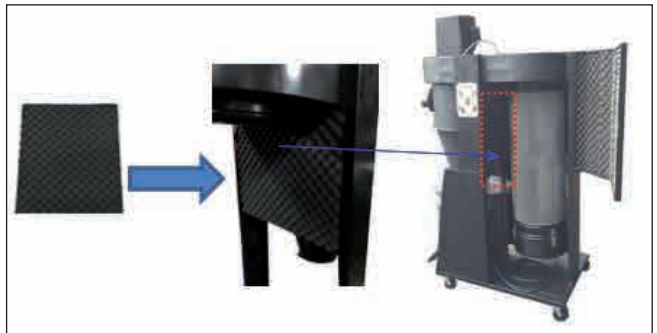
Step 9: With the help of another person, lift the unit up carefully to the right side up with the motor on top and the wheels at the bottom.



Step 10. Take the junction box and secure onto the reinforcement plate that is beneath the control panel/control box using (2) 1/4" x 3/4" hex bolt and (2) 1/4" flat washers.



Step 11. Secure the side canister filter shield (I) in place using (4) 1/4" x 3/4" hex bolts and (4) 1/4" x OD19*2t flat washers.



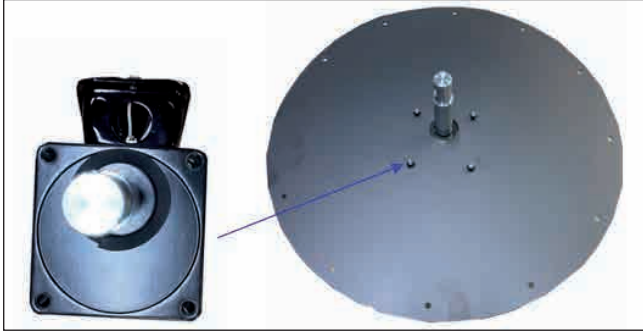
Step 12. Take the Autoclean motor and apply foam tape (3*6mm) to the shaft base as shown in photo.



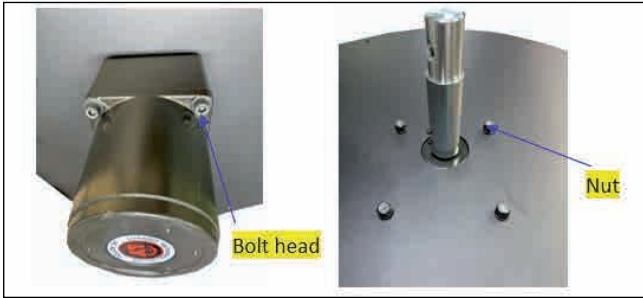
13. Loosen and remote the four bolts, washers and nuts from the gear motor. Set aside for step 15.



Step 14. Take the Autoclean cover plate and place over the auto clean motor. Make sure the four bolt holes on the Autoclean cover plate match the holes on the Autoclean motor. The junction box must be facing up as shown in the photo.



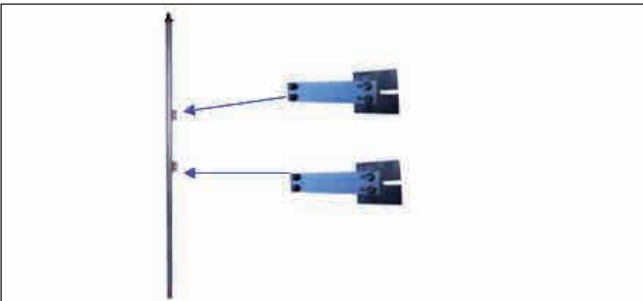
Step 15. Take the hardware removed in step 12 to fasten the Autoclean motor to the cover plate. Thread the bolt with the bolt head on the Autoclean motor side (see photo). The nut is fastened and secured on the cover plate side (see photo). Do not fasten the bolts the other way round.



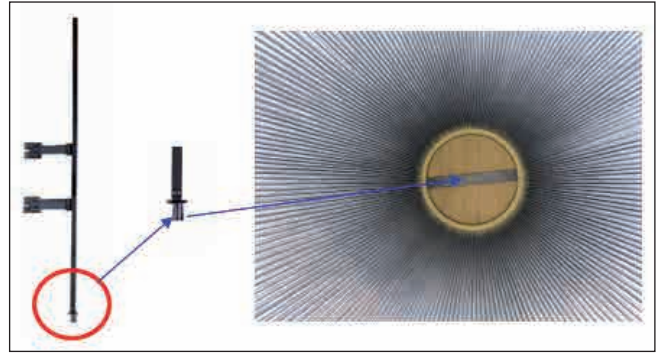
Step 16. Attach the auto clean plate to the dust chute using (12) 3/16"x1/2" sheet metal thread bolts



Step 17. Take the (2) filter cleaning arms and assemble to the filter rotation shaft using (4) 1/4"x5/8" hex bolts, (8) 1/4" flat washers, and (4) 1/4" hex nuts



Step 18. Insert the filter rotation shaft assembly into the HEPA filter from the top opening. It will be easier to insert while holding it at a slanted angle. The rotation shaft has a top and bottom end. The top end has bolt holes for the next step.



Step 19. Move HEPA filter assembly under the dust chute, and with the help of another person holding the HEPA filter, secure the top end of the rotation shaft to the cleaning spindle inside the dust chute using (1) 5/16" x 1-1/2" hex bolt, (2) 5/16" x OD18 x 2t flat washers and (1) 5/16" lock nut.



Step 20. Secure and tighten the (1) 5/16"x 3/4" and (1) 5/16" x 23 x 2 flat washer on the rotation shaft base.



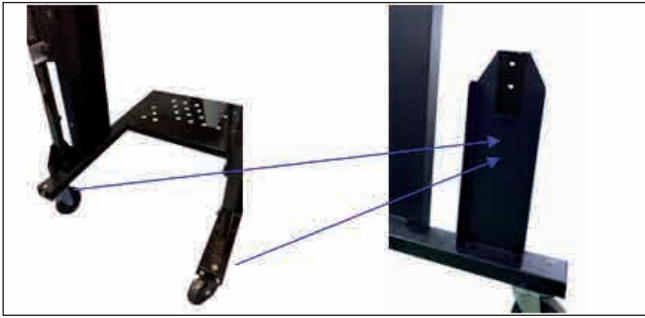
Step 21. Open the canister filter shield and secure the HEPA canister filter onto the dust chute by fastening the band clamp on the top part of the HEPA canister filter. Make sure the band clamp is tightly fastened. It does not matter which side the clamp faces.



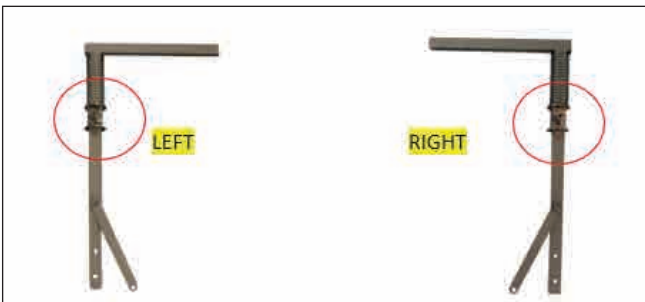
Step 22. Attach the canister filter end cap to the canister filter using the (4) latches. Cover the 4" hook up with the 4" rubber plug.



Step 23. Secure the lower triangular support plate to the base using (2) 5/16"×3/4" hex bolts and (2) 5/16"×OD18*2t flat washers. Follow the same steps for the opposite side.



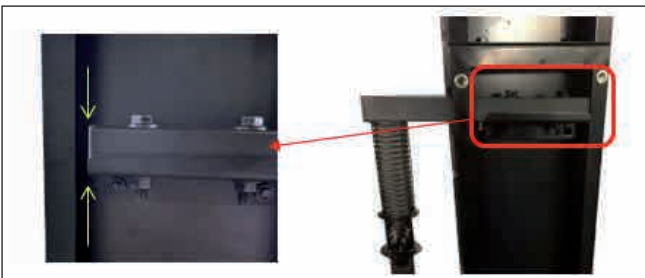
Step 24. Locate the two foot pedal bars provided. There is a left side and right side. To identify the correct side, look for the protruding nut, circled in red below. It should be facing upwards when you place the bars on the floor.



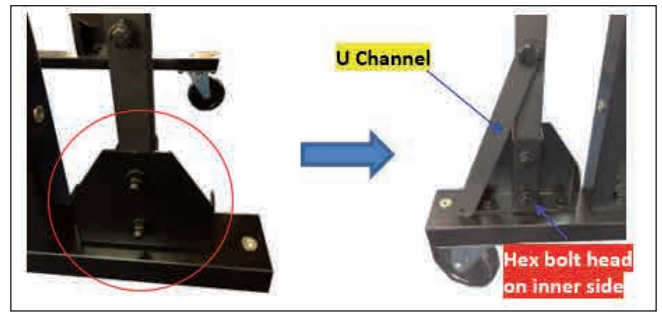
Step 25. Ensure that the foot pedal bar is the correct side and slide the Foot pedal bar into the opening on the lower upright support panel. Make sure the end of the bar is on the inside of the triangular support plate. Follow the same steps for the opposite side.



Step 26. Secure the top end of the foot pedal bar to support bracket using (4) 5/16"×1-3/4" hex bolts, (8) 5/16"×OD18*2t flat washers and (4) 5/16" hex nuts. Make sure the foot pedal bar is pushed all the way to the end of the support bracket (indicated by yellow arrows). Follow the same steps for the opposite side.



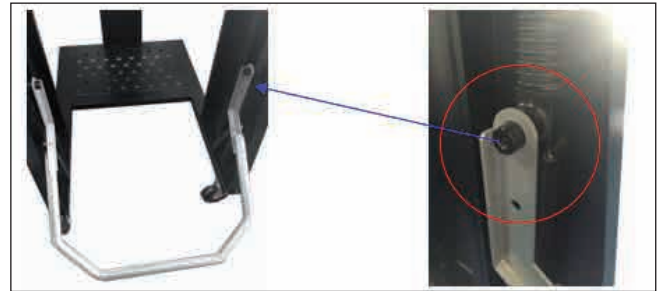
Step 27. Secure the base of the foot pedal bar to the triangular support plate by holding the lower support plate vertically up against the foot pedal bar and securing the U channel provided onto the foot pedal bar using (2) 5/16"×1-3/4" hex bolts, (4) 5/16"×OD18*2t flat washers and (2) 5/16" hex nuts from the inside out. Follow the same steps for the opposite side.



Step 28. Attach the cover plate over the foot pedal assembly. Secure using (6) 1/4"×3/4" hex bolts and (6) 1/4"×OD19*2t flat washers. Follow the same steps for the opposite side.



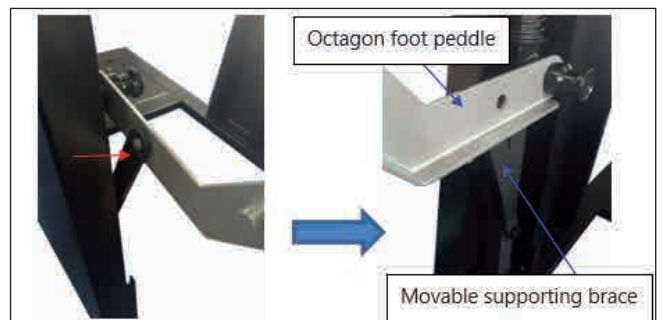
Step 29. Attach the two ends of the Octagon foot pedal to the nut on the foot pedal bar.



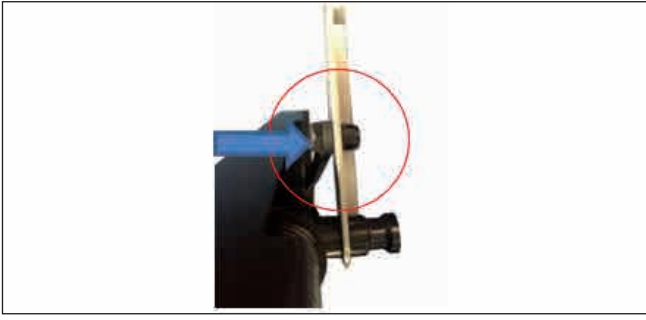
Step 30. Secure the topping to the nut on the foot peddle bar using (1) M8*30mm hex bolt. Follow this step on the opposite side.



Step 31. Secure the movable supporting brace on the foot peddle bar with the octagon foot peddle using (2) 3/8"×21mm hex bolts. Make sure the bolt head is on the inside of the octagon foot peddle. Adjust the tightness of this bolt accordingly. If this bolt is too tight, the Octagon foot peddle will not work smoothly. When too loose it will not pick up the Octagon drum.



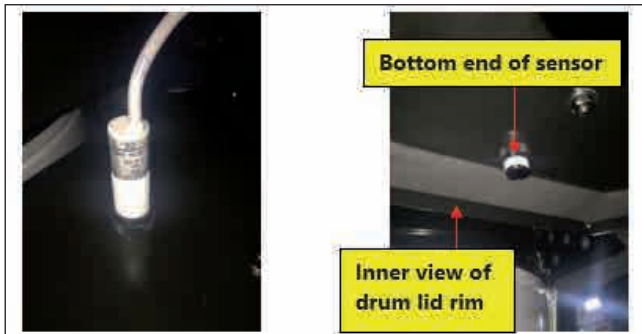
Step 32. Secure the movable supporting brace on the foot peddle bar with the octagon foot peddle using (2) 3/8"×21mm hex bolts. Make sure the bolt head is on the inside of the octagon foot peddle. Adjust the tightness of this bolt accordingly. If this bolt is too tight, the Octagon foot peddle will not work smoothly. When too loose it will not pick up the Octagon drum.



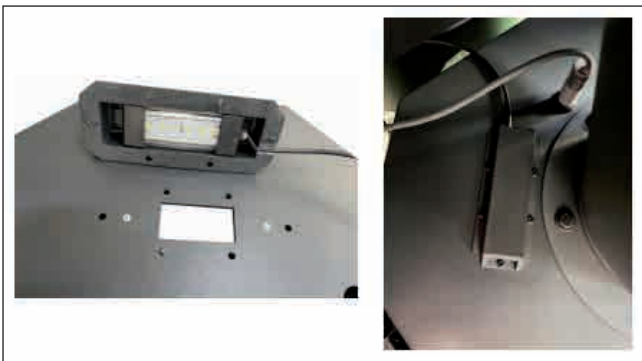
Step 33. Apply foam tape to the cone flange before attaching the drum lid. Secure the Octagon drum lid to the cyclone funnel using (6) 5/16" x 3/4" hex bolts, (12) 5/16" x 1" flat washers and (6) 5/16" hex nuts. Make sure to first attach all the bolts before tightening. NOTE: The lid will turn when the bolts have not been tightened for alignment. Failure to do will result in the drum lid not being able to align with the drum.



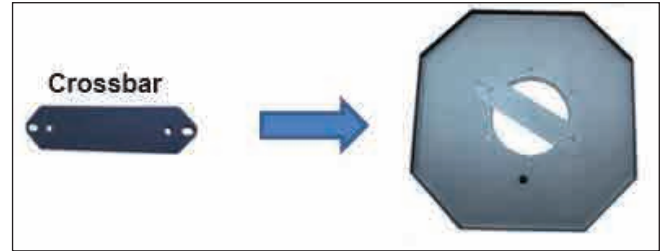
Step 34. Attach the full drum detection sensor to the opening on the drum lid located behind the cyclone funnel. When securing the sensor make sure the end of the sensor is not longer than the drum lid rim. If it extends longer passed the rim, the detection will not function correctly.



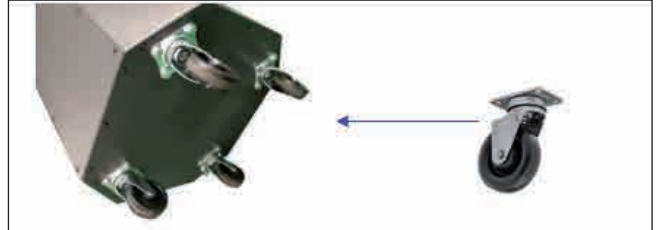
Step 35. Attach the LED light to the drum lid using (6) M4*10mm Philip HD Bolt, (6) 3/16" flat washers and (6) M4 hex nuts.



Step 36. Attach the crossbar to the drum lid and tighten using the two bolts removed in the previous step. It does not matter which position you attach the crossbar.



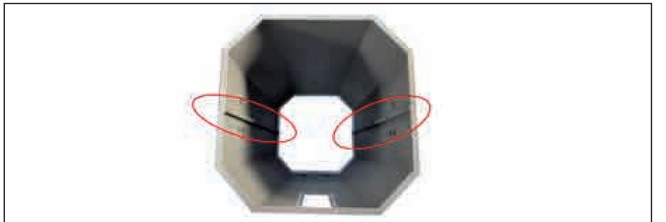
Step 37. Assemble the Octagon drum. Locate the drum base panel, (it does not matter which side faces inside), and secure the (4) casters using (16) 5/16" x 3/4" hex bolts, (32) 5/16" x 1" flat washers and (16) 5/16" hex nuts.



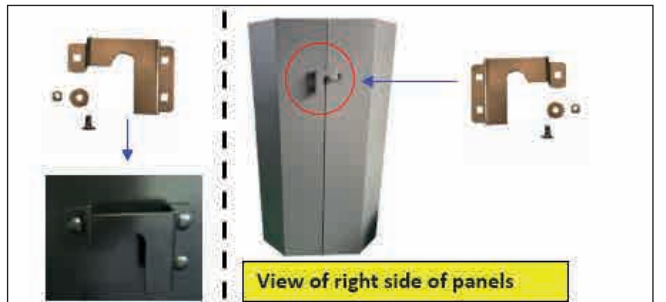
Step 38. Attach the handles to the top and bottom end on the front panel with the window display using (4) flat head Philip bolt, (4) 5/16" x 7/8" flat washers and (4) 5/16" hex nuts. Note that the head of the Philip bolt must be inserted from the handle with the hex nut and washer on the inside of the drum.



Step 39. Take the Octagon drum front and back panels and assemble together by securing with (12) M4 x 12mm sheet metal screws.



Step 40. One the left and right side you will find three bolt holes. Take the matching side plate and secure to the outside of the panel using (6) 1/4" x 1/2" carriage bolts, (6) 1/4" x 1" flat washers and (6) 1/4" hex nuts. Insert the head of the carriage bolt from the inside of the drum with the washers and nuts on the outside of the drum.



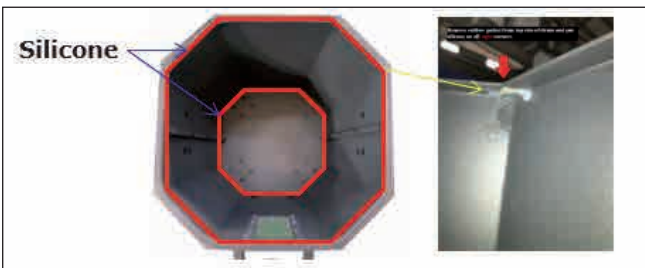
Step 41. Lay the drum on its side with the handle facing top. With the help of another person, hold the base panel with wheels up against the base of the drum. Using (22) M4 Sheet metal screws to secure tightly.



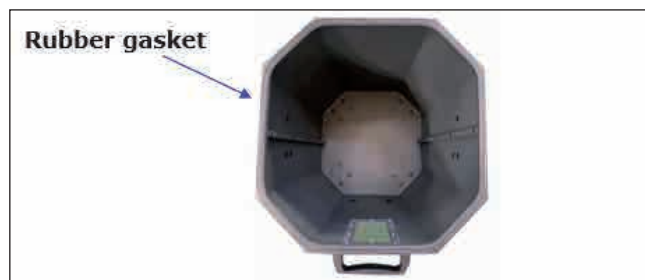
Step 42. Take the plastic bolt end caps to cover all the bolt ends on the inside of the Octagon drum base using (22) plastic end caps. This step is necessary to prevent any injuries caused by the sharp end of the bolts.



Step 43. Once completing the assembly, keep the drum laying on its side to apply silicone (not included) to the inside of the drum, including the base and the top rim of the drum before the rubber seal has been attached to seal and prevent air leakages. You will need to use a caulking gun (not supplied)



Step 44. Attach the rubber gasket to the top inner edges of the Octagon drum. The wider end of the gasket goes up. Use tin snips to trim any excess rubber gasket after completing the seal.



Step 45. Insert the plastic debris collection bag inside the Octagon drum. Open and spread out the plastic bag to the corners and edges.



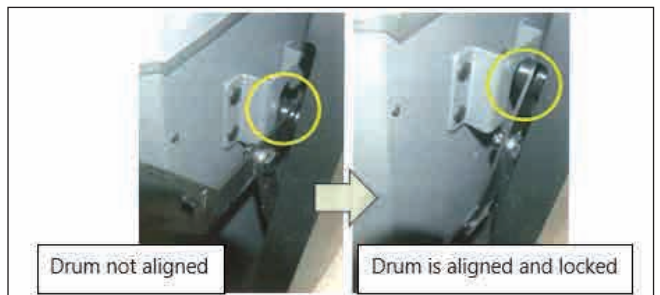
Step 46. Use (24) Round hd Philip bolts 3/16" x 1/2" and (24) Cap nut 3/16" to assemble the drum insert together. Place the drum insert inside over the plastic bag in the Octagon drum.



Step 47. Lift the foot peddle bar. Align the Octagon drum window to the center point of the drum lid and push the drum in. Lower the foot peddle bar to seal the drum tight for normal machine operation.

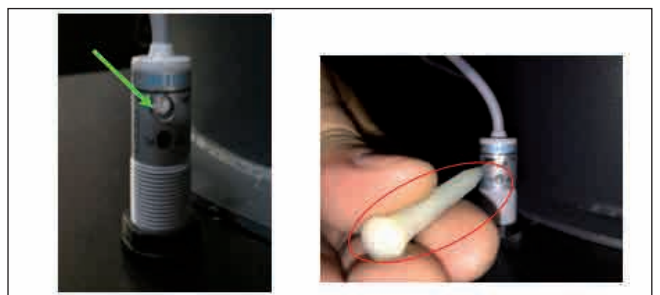


Step 48. Make sure when aligning the drum that both the left and right side lift plates are over the topping on the foot peddle bar assembly before lifting the foot peddle bar up. When not aligned, the drum will not be fully sealed and will interfere with the air flow.

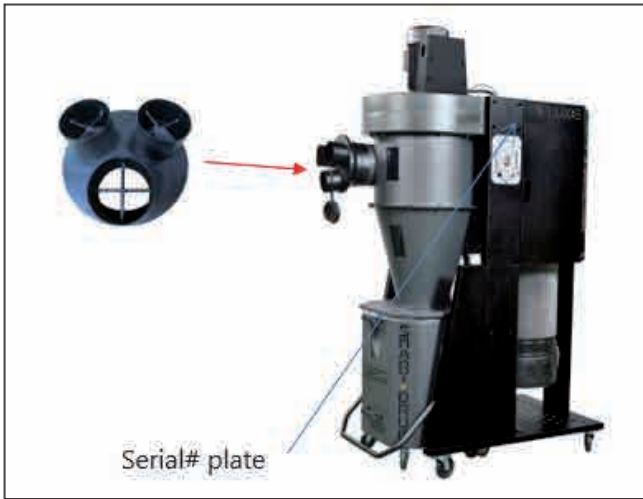


Step 49. Using the white plastic pin, insert the sharp point into the top end of the proximity sensor that is on top of the drum lid. You will find a small hole to on top where you can turn clockwise or anti-clockwise.

- Clockwise: Lower dust waste level in drum (Less full drum)
- Anti-clockwise: Higher dust waste level in drum (Fuller drum)



Step 50. Install the intake splitter. For the PFLUX3 install the 8" by 4" x 3 ports to the intake using (3) M4 x 12mm sheet metal screws. Attach the rubber caps to each 4" port.



Step 51. All the assembly steps have been completed.

OPERATION

1. Make sure at least one blast gate is open, if connected to a dust collection system with blast gates.

CAUTION Never operate dust collector with all blast gates closed!

2. Confirm the electrical supply is correct and connected to machine.
3. Make sure no one is working on or doing maintenance to dust collector.
4. To start, press the ON button on either the ON/OFF switch or remote control.
5. To stop, press the OFF button on either the ON/OFF switch or remote control.

6. Maintenance procedures

CLEANING THE FILTER

This PFLUX3 is equipped with auto clean every 10 minutes for 10 seconds one direction and another 10 seconds the other direction. The cleaning will continue for one cycle (10 seconds clockwise, 10 seconds counterclockwise when you shut the machine off. While the canister is cleaning the yellow LED light on the control panel will illuminate showing that it is in the process of cleaning.

There is a HEPA filter replacement indicator, which is the same yellow LED light as the cleaning one. This is based on a timer system and when 2000 hours of running is reached, the light indication would be flash constantly in one long, two short intervals meaning the HEPA filter would need to be replaced.

Pressing the REMOTE button five times will reset the flashing light.

To ensure proper operation of this Mobile Dust Cyclone, the HEPA canister filter must have adequate air flow. This means the filter must be regularly maintained by carefully blowing the filter clean using compressed air and an air gun to release built-up particulates trapped between the filter pleats.

CAUTION DISCONNECT MACHINE FROM POWER!

For heavy duty users, it is recommended to use compressed air on a weekly basis to maintain maximum filtration efficiency and longer life span of the filter.

1. Keep your cyclone switched on and operating; open both sides of the Canister filter shield doors. Connect the Ø4" flex hose from the cyclone to the Ø4" hook up on the canister end cap.



2. While the cyclone is collecting the dust from inside the canister end cap; use compressed air and an air gun and blow the outer surface of the canister.

3. After cleaning the filter with the compressed air gun, follow the steps in the next section to remove the end cap to empty out any dust left inside.

EMPTYING THE CANISTER END CAP

Periodically check the canister end cap, if it is more than one third full, it is recommended that you empty it.

NOTE: If the canister end cap gets too full, the dust particulates may be recirculated back into the canister filter obstructing air flow and exposing the user to potentially harmful particulates.

1. Release the (4) latches around the canister end cap to remove.
2. Empty and re-attach using the latches.

EMPTYING THE DRUM

Periodically inspect the contents of the drum and empty as needed. To inspect the contents of the drum:

1. Raise the drum foot peddle bar to lower the drum to the floor.
2. Roll it away from the machine, inspect and empty as needed.

ROUTINE INSPECTION

It is a good idea to routinely inspect any quality woodworking tool in order to keep it in optimum condition. This includes inspecting all hardware for tightness, ensuring the filter is clean, and cleaning debris and grime from any surfaces and moving parts.

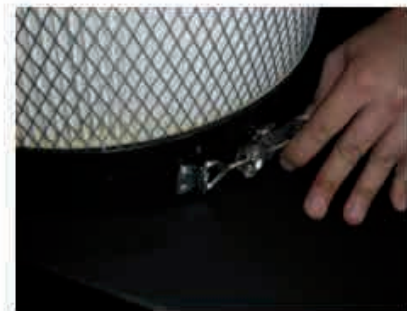
HEPA FILTER REPLACEMENT

To maintain safe, clean air quality, the HEPA filter should be replaced after 2000 hours of operation (e.g., 8 hours/day x 250 days = 2,000 hours). Contact your dealer or Laguna Tools for a replacement HEPA filter. If your model has a "change filter indicator light" it will flash at 2,000 hours. Replace HEPA filter. To reset flashing light, press the "Remote" button on the Control Panel 5 times.

CAUTION DISCONNECT MACHINE FROM POWER!

REMOVING THE CANISTER FILTER

1. Release the spring-loaded band clamp at the bottom of the canister filter and remove the plastic bag.



2. While supporting the canister filter assembly from the bottom, release the spring-loaded band clamp from the top of the canister filter assembly.



3. Remove the (4) 3/16" x 3/4" sheet metal Philip bolts, (1) 5/16" x 3/4" hex bolt and (1) 5/16" x 7/8" flat washer off the bottom of the canister filter.

4. Remove the canister filter and carefully tilt the top of the canister filter assembly to clear the paddle branches. Slightly bend the paddle branches to remove the canister filter.

NOTE: You may have to gently bend the paddles to free the canister filter. This should not adversely affect the operation of the machine.

5. With the canister filter removed use a compressed air gun to thoroughly clean between the pleats, both inside and outside.

RE-ASSEMBLING THE CANISTER FILTER AFTER CLEANING

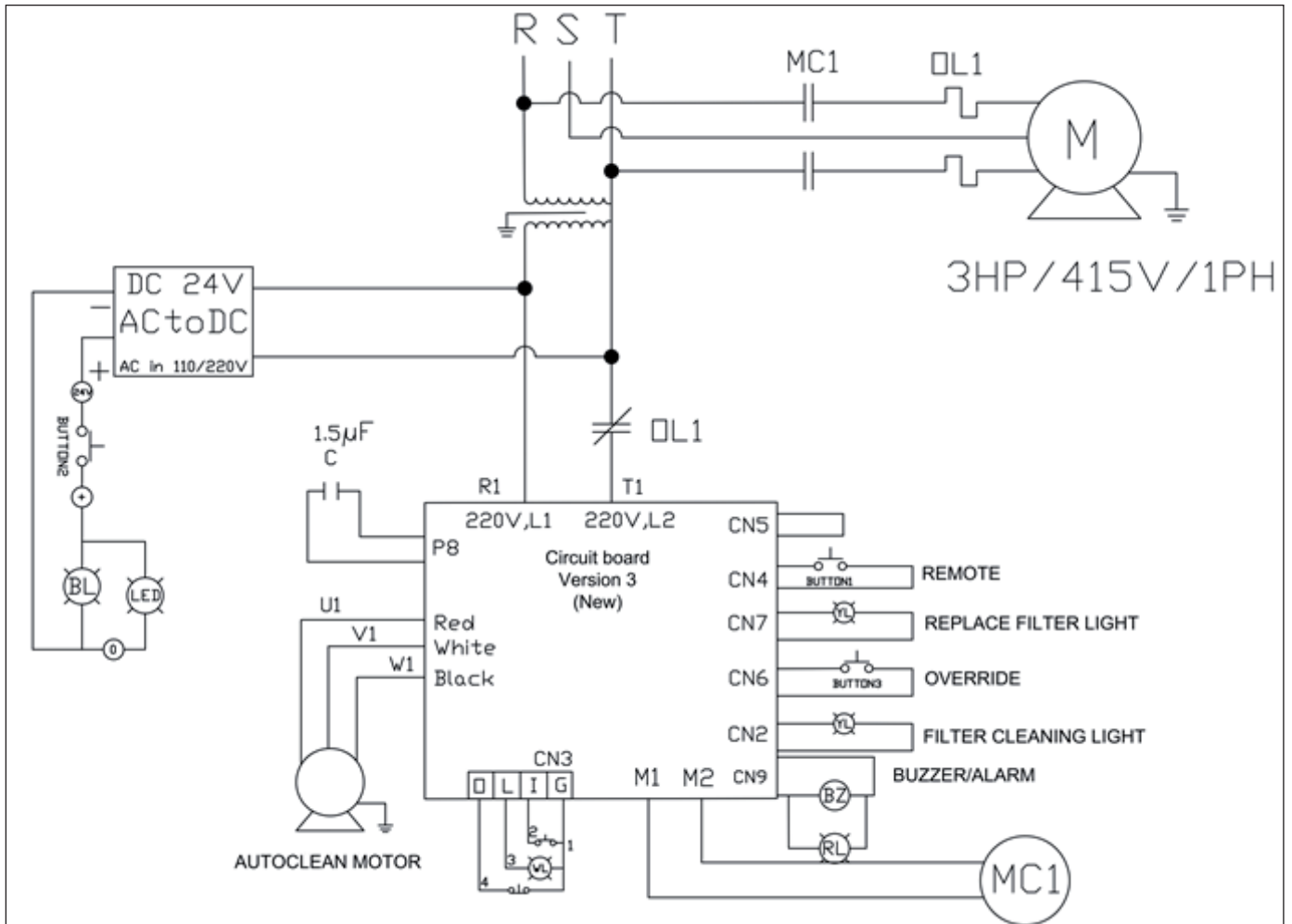
6. With the aid of another person, carefully re-insert the canister filter repeating step 1,2,3 and 4 in reverse.

7. Troubleshooting guide

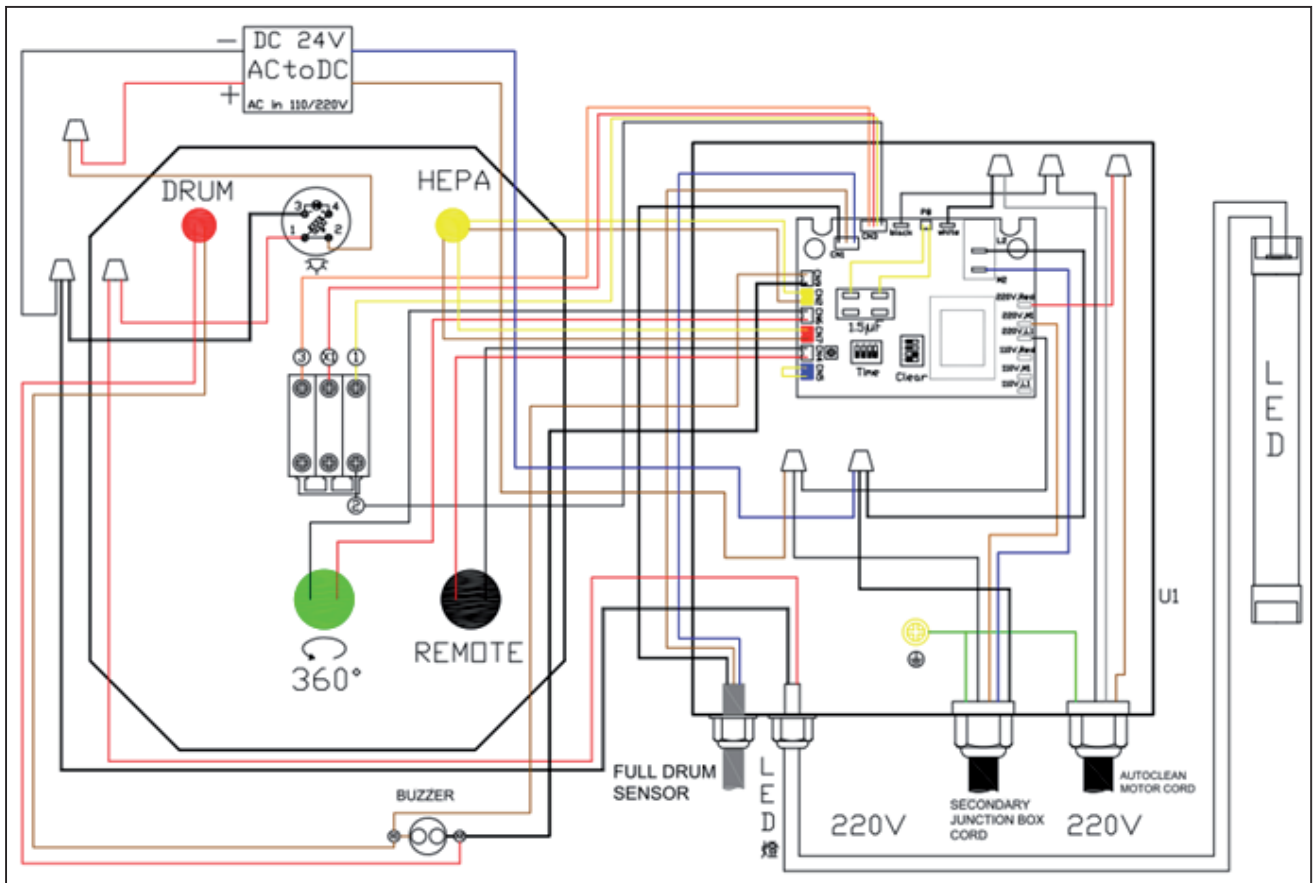
<p>Machine does not start or a breaker trips.</p> <p>Possible Cause</p> <ol style="list-style-type: none"> 1. Power supply switched OFF or is faulty. 2. Wall fuse/circuit breaker is blown/tripped. 3. Faulty remote control. 4. Remote receiver is faulty. 5. Incorrectly wired motor connection. 6. On-board circuit breaker is tripped. 7. Wiring is open/has high resistance. 8. Faulty power switch. 9. Motor is at fault. 	<p>Possible Solution</p> <ol style="list-style-type: none"> 1. Ensure power supply is ON and has the correct voltage. 2. Ensure adequate circuit size; install inlet restrictor, replace weak breaker. 3. Replace batteries; ensure unobstructed line-of-sight and signal range. 4. Inspect receiver circuit board; replace if faulty. 5. Rewire or call certified service technician or electrician. 6. Allow motor to cool, improve ventilation, press reset button. 7. Check for broken wires or poor connections, repair as necessary. 8. Replace switch. 9. Test/repair/replace.
<p>Excessive vibration or noise during operation.</p> <p>Possible Cause</p> <ol style="list-style-type: none"> 1. Loose component. 2. Loose or broken motor mount. 3. Motor fan hitting fan cover. 4. Bad motor bearings. 	<p>Possible Solution</p> <ol style="list-style-type: none"> 1. Inspect and tighten all bolts/nuts. 2. Tighten or replace as needed. 3. Check fan and cover; replace as needed. 4. Rotate shaft manually, check for grinding or loose shaft, replace bearings if needed.
<p>Loud, repetitive noise, or excessive vibration coming from cyclone</p> <p>Possible Cause</p> <ol style="list-style-type: none"> 1. Machine is on uneven surface. 2. Damaged/Unbalanced impeller. 3. Loose connections. 4. Impeller is loose. 5. Motor fan hitting fan cover. 	<p>Possible Solution</p> <ol style="list-style-type: none"> 1. Stabilize on a flat surface. 2. Inspect impeller for dents, bends, loose fins. Replace if needed. 3. Check and re-tighten all fasteners. 4. Replace the motor and impeller. 5. Check fan and cover; replace as needed.
<p>Dust cyclone does not adequately collect dust or chips; poor performance.</p> <p>Possible Cause</p> <ol style="list-style-type: none"> 1. Canister end cap is full. 2. Filter is dirty. 3. Restricted duct line. 4. Suction route is too long or has too many sharp bends. 5. Wet lumber is clogging ducts. 6. Leaks in the duct work or too many open ports. 7. Inadequate velocity in the main suction line. 8. Wrong size ducting/ports used. 	<p>Possible Solution</p> <ol style="list-style-type: none"> 1. Empty canister end cap. 2. Clean filter. 3. Clean inlet splitter. 4. Move machine closer to the point of suction, and rerun ducts to eliminate sharp bends. 5. Use lumber with less than 20% moisture content. 6. Repair all duct leaks and close any ports not being used. 7. Increase velocity by opening 1 or 2 more blast gates to different branch lines. 8. Re-size and re-install ducts and fittings.
<p>Sawdust being blown into the air from the dust cyclone.</p> <p>Possible Cause</p> <ol style="list-style-type: none"> 1. Band clamp or end cap is not secure. 2. Loose or damaged seals. 	<p>Possible Solution</p> <ol style="list-style-type: none"> 1. Re-install ensuring a tight fit. 2. Replace seals and gaskets.

8. POWER CONNECTIONS & WIRING DIAGRAMS

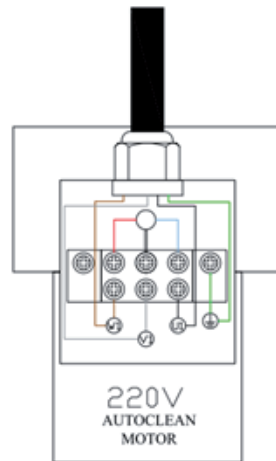
POWER CONNECTIONS



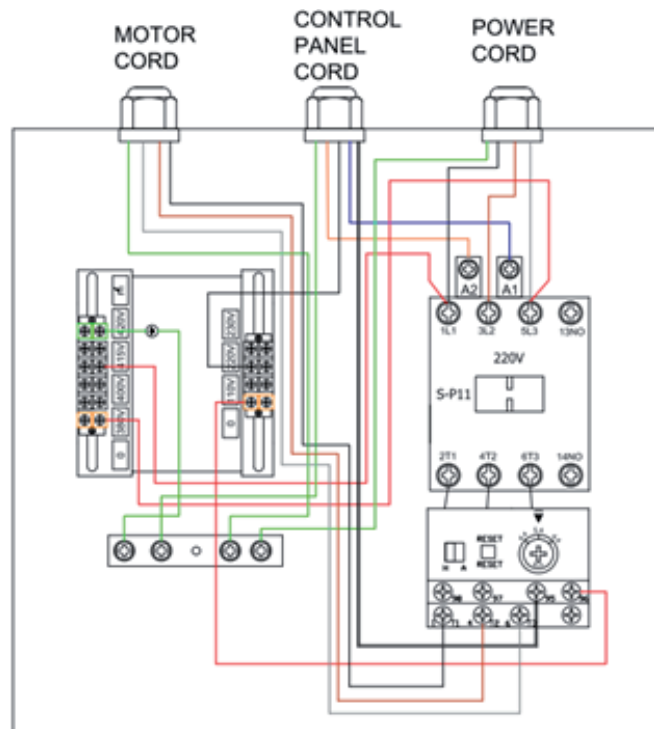
CONTROL PANEL



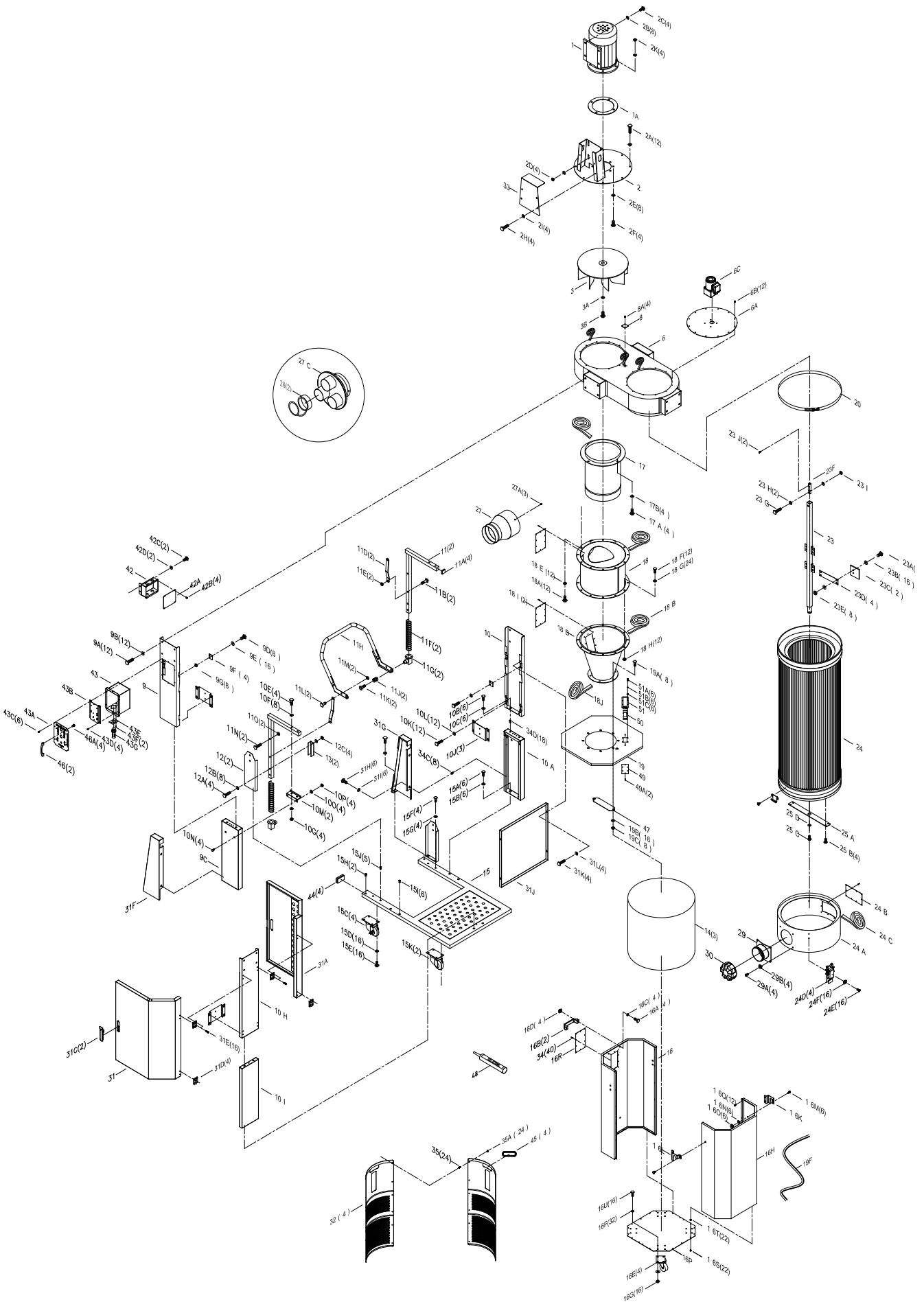
AUTOCLEAN MOTOR



SECONDARY JUNCTION BOX



9. Parts breakdown / Exploded Views



42C	PDCPF22201-42C	HEX BOLT 1/4"x3/4"	2
42D	PDCPF22201-42D	FLAT WASHER 1/4"XOD19x2t	2
43	PDCPF22201-43V2	CONTROL BOX V2.2021	1
43A	PDCPF22201-43AV2	CONTROL PANEL V2.2021	1
43B	PDCPF22201-43BV2	CONTROL PANEL SUPPORT PLATE V2.2021	1
43C	PDCPF22201-43C	ROUND HEAD BOLT M4*10mm	6
43D	PDCPF22201-43D	PHILIP HD BOLT M4*6mm	4
43E	PDCPF22201-43E	BUZZER SUPPORT PLATE	1
43F	PDCPF22201-43F	PHILIP HD BOLT M4*6mm	2
43G	PDCPF22201-43G	BUZZER/ALARM	1
44	PDCPF22201-44	PHILIP HD BOLT M4*6mm	4
45	PDCPF22201-45	RUBBER HANDLE FOR DRUM INSERT	4
46	PDCPF22201-46	CONTROL PANDLE HANDLE	2
46A	PDCPF22201-46A	PHILIP HD BOLT M4*6mm	4
47	PDCPF22201-47	CROSSBAR	1
48	PDCPF22201-48	SILICONE	1
49	PDCPF22201-49	LED WINDOW	1
49A	PDCPF22201-49A	RIVET 3-2	2
50	PDCPF22201-50	LED LIGHT	1
51	PDCPF22201-51	LED LIGHT COVER	1
51A	PDCPF22201-51A	PHILIP HD BOLT M4*10mm	6
51B	PDCPF22201-51B	FLAT WASHER 3/16"OD12*1t	6
51C	PDCPF22201-51C	HEX NUT M4	6



IGM nástroje a stroje s.r.o., Ke Kopanině 560,
Tuchoměřice, 252 67, Czech Republic, E.U.
+420 220 950 910, www.igm.cz